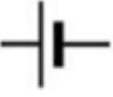
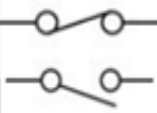

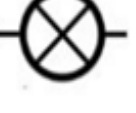








<b>Key Vocabulary</b>	
<b>circuit</b>	Components connected together to make one of them work.
<b>cell</b>	A device for converting chemical or solar energy into electricity.
<b>battery</b>	Two or more cells in a circuit.
<b>wire</b>	A length of conductive material, usually covered with an insulating material, used as a conductor of electricity in a circuit to connect components together.
<b>Bulb/lamp</b>	A device in a circuit which provides light by passing an electric current through.
<b>switch</b>	A device for opening and closing a circuit. (turning on and off).
<b>buzzer</b>	A component in a circuit which creates a buzzing sound by passing an electric current through it.
<b>loop</b>	A complete and closed path around which a circulating electric current can flow.
<b>conductor</b>	A material or device that conducts or transmits electricity (easily allows it to pass through).
<b>insulator</b>	A material or device that insulates electricity (does not allow it to pass through).
<b>Series circuit</b>	An electric circuit so that current passes through each circuit element in turn without branching.

<b>Some components of an electric circuit</b>					
	Wire	cell	switch	buzzer	lamp
<b>Circuit Diagram</b>	—				
<b>Picture</b>					

### Conductors and insulators

Some materials let electricity pass through them easily. These materials are known as electrical **conductors**. Many **metals**, such as copper, iron and steel, are good electrical conductors. That is why the parts of electrical objects that need to let electricity pass through are always made of metal.



Metal is used in plugs to allow electricity to transfer from the wall socket, through the plug, and into a device such as a radio or TV.

Some materials do **not** allow electricity to pass through them. These materials are known as electrical **insulators**. Plastic, wood, glass and rubber are good electrical insulators. That is why they are used to cover materials that carry electricity.

The plastic covering that surrounds wires is an electrical insulator. It stops you from getting an electrical shock. The plastic covering that surrounds wires is an electrical insulator. It stops you from getting an electrical shock.